

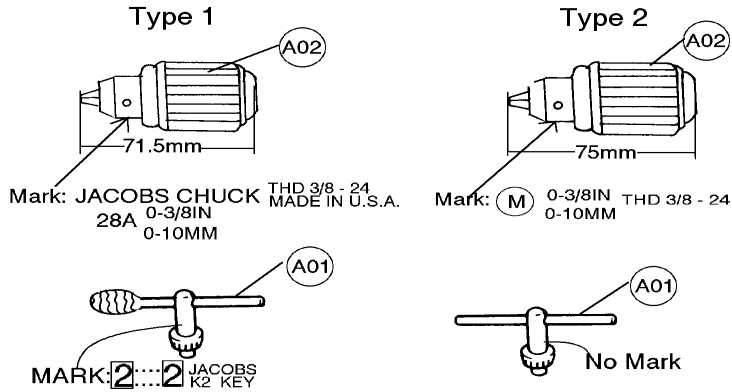
Type	Sub	Part No.	Description (*see Service change on the bottom)	Qty	Unit
		251451-2	* P.H. SCREW M5X22 (OLD)	1	PC.
		254011-9	WOODRUFF KEY 4	1	PC.
		322301-9	* SPINDLE	1	PC.
		285804-3	BEARING RETAINER 19-34	1	PC.
		211201-7	BALL BEARING 6002LLB	1	PC.
		257153-8	RING 15	1	PC.
		157911-1	GEAR HOUSING	1	PC.
	INC.		Item No. 9		
		263002-9	RUBBER PIN 4	1	PC.
		221764-5	HELICAL GEAR 49	1	PC.
		961052-5	RETAINING RING S-12	1	PC.
		263002-9	RUBBER PIN 4	1	PC.
		157912-9	GEAR HOUSING COVER	1	PC.
	INC.	214001-4	PLANE BEARING 8	1	PC.
	INC.		Item No. 12,31		
		211014-6	BALL BEARING 606 (OLD# 211012-0)	1	PC.
		226079-5	GEAR COMPLETE 11-34	1	PC.
		211014-6	BALL BEARING 606 (OLD# 211012-0)	1	PC.
1		157725-8	MOTOR HOUSING COM.(MCA)(GREEN)	1	PC.
	INC.		ITEM No. 24		
2		159010-5	MOTOR HOUSING COM.(MJ) (BLUE)	1	PC.
	INC.		ITEM No. 24		
		856138-7	NAME PLATE 6402	1	PC.
		343407-0	HOOK	1	PC.
		633056-4	FIELD 115V (OLD# 633021-3)	1	PC.
		410923-8	BAFFLE PLATE	1	PC.
		253192-6	FLAT WASHER 14	1	PC.
		211028-5	BALL BEARING 627LB	1	PC.
		263014-2	RUBBER PIN 4	1	PC.
		681614-0	INSULATION WASHER	1	PC.
		511836-7	ARMATURE ASS'Y 115V	1	PC.
	INC.		Item No. 23,25,27,28		
		241881-5	FAN 52	1	PC.
1		211033-2	BALL BEARING 608LB	1	PC.
2		211031-6	BALL BEARING 608LLB	1	PC.
		911173-3	PAN HEAD SCREW M4X45	1	PC.
		911183-0	PAN HEAD SCREW M4X55	2	PC.
		263002-9	RUBBER PIN 4	1	PC.
		911581-8	PAN HEAD SCREW M4X55 (OLD# 251334-6)	2	PC.
1		191910-3	CARBON BRUSH CB-401 2PC/SET (W/O ORIGIN)	1	SET
2		195005-4	CARBON BRUSH CB-401 2PC/SET (W/ ORIGIN)	1	SET
		911124-6	PAN HEAD SCREW M4X14	1	PC.
		421144-7	* DUST COVER	1	PC.
		650208-2	* SWITCH TG833TB-1	1	PC.
		416013A5	HANDLE COVER	1	PC.
		911153-9	PAN HEAD SCREW M4X28	3	PC.
		651475-2	* REVERSING SWITCH 8928K370	1	PC.
		911133-5	PAN HEAD SCREW M4X18	2	PC.
		687002-9	STRAIN RELIEF	1	PC.
		682502-4	CORD GUARD 8-85	1	PC.
		664064-4	CORD W/PLUG 2P-18-2.5M, SJ	1	PC.
		685717-2	SPONGE SHEET	1	PC.
		411780-7	KEY HOLDER 10	1	PC.
		819063-3	MAKITA LABEL	1	PC.
		686015-7	RECEPTACLE SLEEVE	1	PC.
		654069-2	RECEPTACLE	1	PC.
RIES		- See catalogue or visit www.makita.ca for other optional accessories -			
		763434-5	* CHUCK KEY 10	1	PC.
Opt.		763427-2	CHUCK KEY 10	1	PC.
		763098-5	* 3/8" DRILL CHUCK	1	PC.

SERVICE CHANGES

1. Changes on Drill Chuck and Chuck Key

Item No.	Description	Type 1	Type 2
A01	Chuck Key	763403-6A	763434-5 (or 763427-2)
A02	3/8" Drill Chuck	763048-0A	763098-5
	Serial No.	~ 22537E	22538E ~

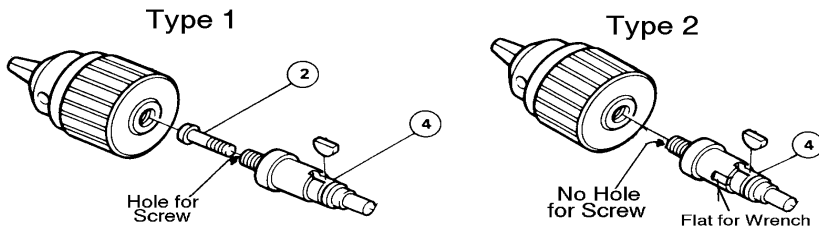
Above parts are completely interchangeable as a set.



2. Changes on Spindle and Screw

Item No.	Description	Type 1	Type 2
2	P.H.Screw M5x22	251451-2	-----
4	Spindle	322190-2 (N/L/A)	322301-9
	Serial No.	~ 17063E	17064E ~

Above parts are completely interchangeable as a set.



SERVICE NOTE

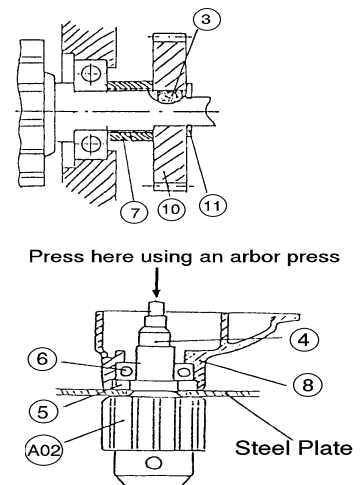
How to remove the Drill Chuck from the improved Model 6402.

As the Drill Chuck is secured to the Spindle so tightly, the Drill Chuck will not be loosened by tapping the Chuck Key installed on the Drill Chuck with a hammer.

To remove the Drill Chuck, proceed as follows:

1. Remove the Retaining Ring S-12 (Item 11), Helical Gear 49 (Item 10), Woodruff Key (Item 3) and Ring 15 (Item 7) from the Spindle in order. The Helical Gear 49 can be removed by striking the Gear Housing with a hammer.

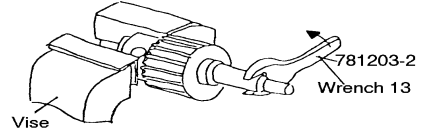
2. Insert steel plates between the Gear Housing (Item 8) and the Drill Chuck (Item A02). Use an arbor press to remove the Spindle (Item 4) and the Drill Chuck (Item A02) together from the Ball Bearing 6002LLB (Item 6) in the Gear Housing (Item 8).



SERVICE CHANGES

3. Secure the Drill Chuck with a vise. Hold the flats of the Spindle with a wrench 13 (781203-2) and turn the wrench 13 in counterclockwise direction to loosen the Spindle.

4. To install the Drill Chuck, follow the removal procedures in reverse.



NOTE

The Spindle should be secured to the Drill Chuck at about 500-600 kg.cm(36ft.lbs - 43ft.lbs) of tightening torque.

500 - 600 kg.cm (36ft. lbs - 43 ft. lbs) of tightening torque can be obtained when strongly tightening the spindle with a wrench 13 having 150mm (5-29/32") long handle.

3. Changes on Switch

Item No.	Description	Type 1	Type 2	Type 3	Type 4	Type 5
38	Dust Cover / Switch Cover	421145-5	411852-8	421144-7		
39	Switch V.S (with lock)	851314-6 (N/L/A)	651271-8 (N/L/A)	651352-8 (N/L/A)	650208-2	
40	Handle Cover	150011-6			414308-0 (N/L/A)	416013A5
42	Reversing Switch	651461-3 (N/L/A)	651478-6	651475-2		
	Serial No.	~ 36395E	36396E ~	2801 ~		

Above parts are completely interchangeable as a set.

